

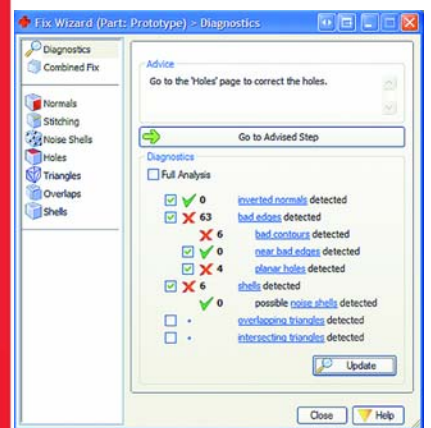
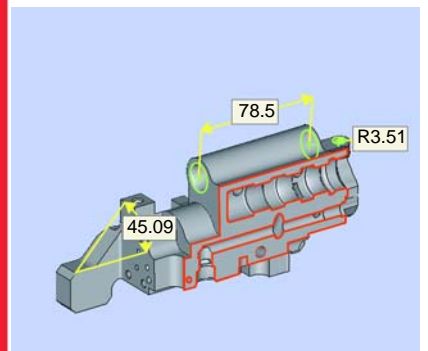
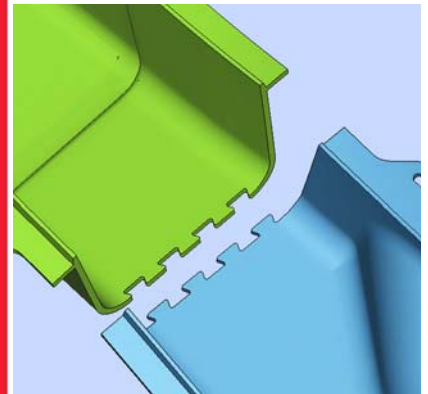


Big ideas need big parts.
Speed up your design process and
launch your products into the
market ahead of the competition.

Quickly cut parts, while ensuring
a perfect, easy fit. "Teeth cut"
ensures parts fit together.

Cut away views and extensive
measuring for .stl files allow you to
get the most from your Dimension.
Dimension is the most accurate 3D
Printer on the market today*.

Bad .stl? The Fix Wizard automates
the repair with simple step by step
instructions.



Dimension Printers allow you to speed up your design process and launch your products into the market ahead of the competition. Dimension Magics gives you the power to optimize your Dimension Investment.

Dimension Magics is designed to enhance your Dimension system;

- Cut big parts to fit your Dimension system. "Teeth cut" ensures a perfect fit.
- Cut Away Views assist with extensive .stl file measuring. This feature allows you to take full advantage of Dimension's "*Best In Class*"* accuracy.
- Fix bad .stl files in a matter of minutes. "Fix Wizard" automates the repair with a simple step by step process.

Dimension Magics is packaged in four convenient bundles

- Dimension Magics software/Seat License including 1 year maintenance \$3000/€2,430**
- Dimension Magics software/Seat License including 2 year maintenance \$3500/€2,835**
- Dimension Magics software/Floating License including 1 year maintenance \$4000/€3,240***
- Dimension Magics software/Floating License including 2 years maintenance \$4800/€3,888***

System Requirements

Platform

Win 2000/XP

Minimal Requirements

Catalyst[™] EX (Installed)
Pentium IV
Memory (RAM): 256 MB
Graphics Card: 100% OpenGL compatible card with min 32 MB Ram
Screen Resolution: 800 x 600; High Color (16bit)
Disk Space: 150MB

Recommended

Pentium IV 3 GHz or higher
Memory (RAM): 1024 MB or higher
Graphics Card: Nvidia Geforce or ATI Radeon Video card.
Screen Resolution: 1280 x 1024; True Color (32bit)

*TAGrimm & Assoc. Publication
Dimensional Accuracy - 3D Printers
Oct. 2005

**Seat License (one computer/one user)

***Floating License (one server/one user at a time)

Dimension Printing, a business unit of
Stratasys, Inc.
14950 Martin Drive
Eden Prairie, MN 55344-2020 U.S.A.
+1.952.937.3000
866.721.9244 US Toll Free
info@dimensionprinting.com
www.dimensionprinting.com



2, Rue Galilée
78280 GUYANCOURT
Tél. 01.39.30.65.06
Fax. 01.39.30.65.08
www.cadvision.fr

© 2006 Stratasys, Inc. All rights reserved. Stratasys, Dimension and Catalyst are registered trademarks of Stratasys, Inc., registered in the U.S.A. and other countries. Windows 2000 and Windows XP are trademarks of their respective owner. Stratasys assumes no responsibility with regard to the selection, performance or use of these products. Product specifications are subject to change without notice. Printed in U.S.A. DIM0406